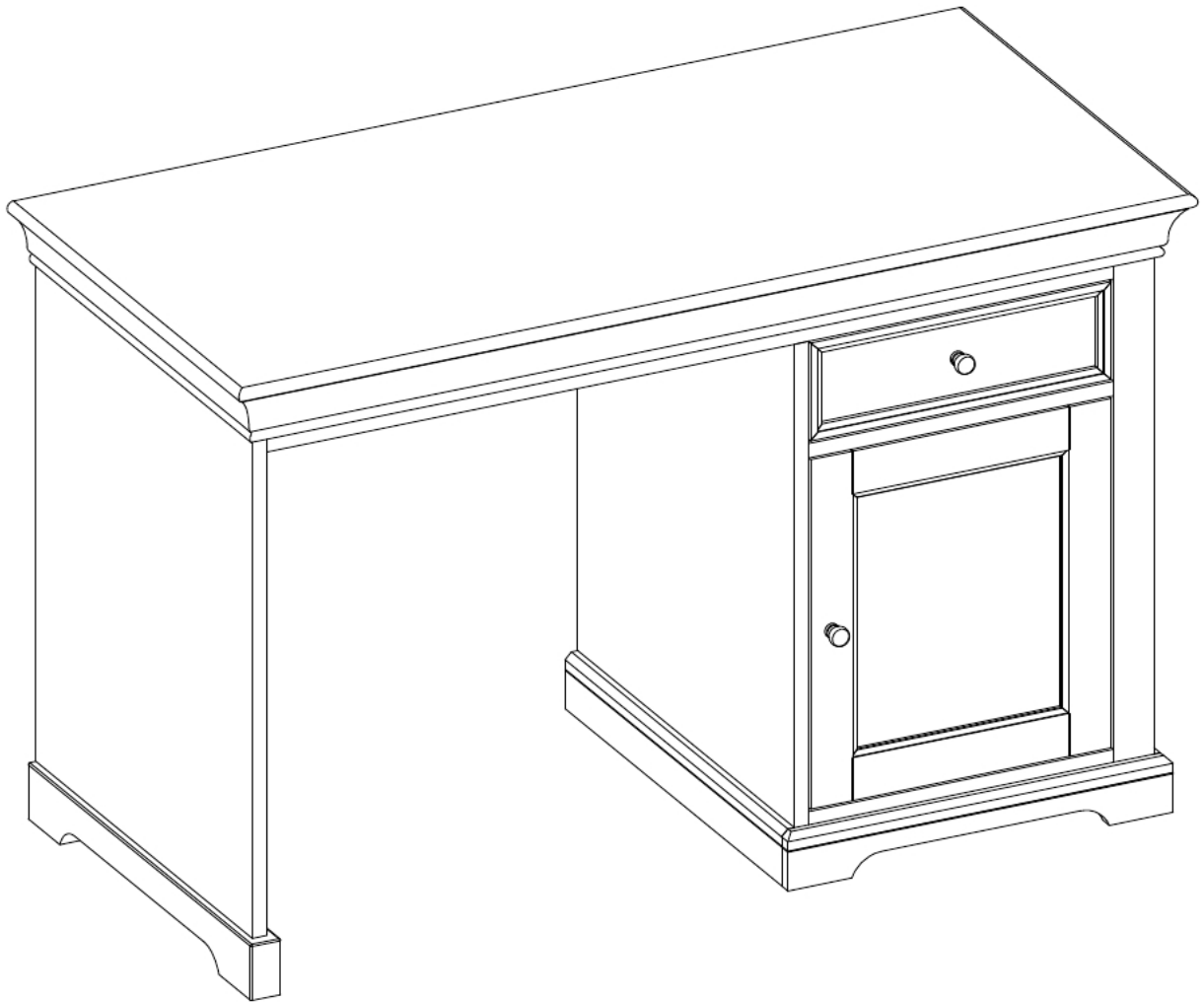


INSTRUCTION

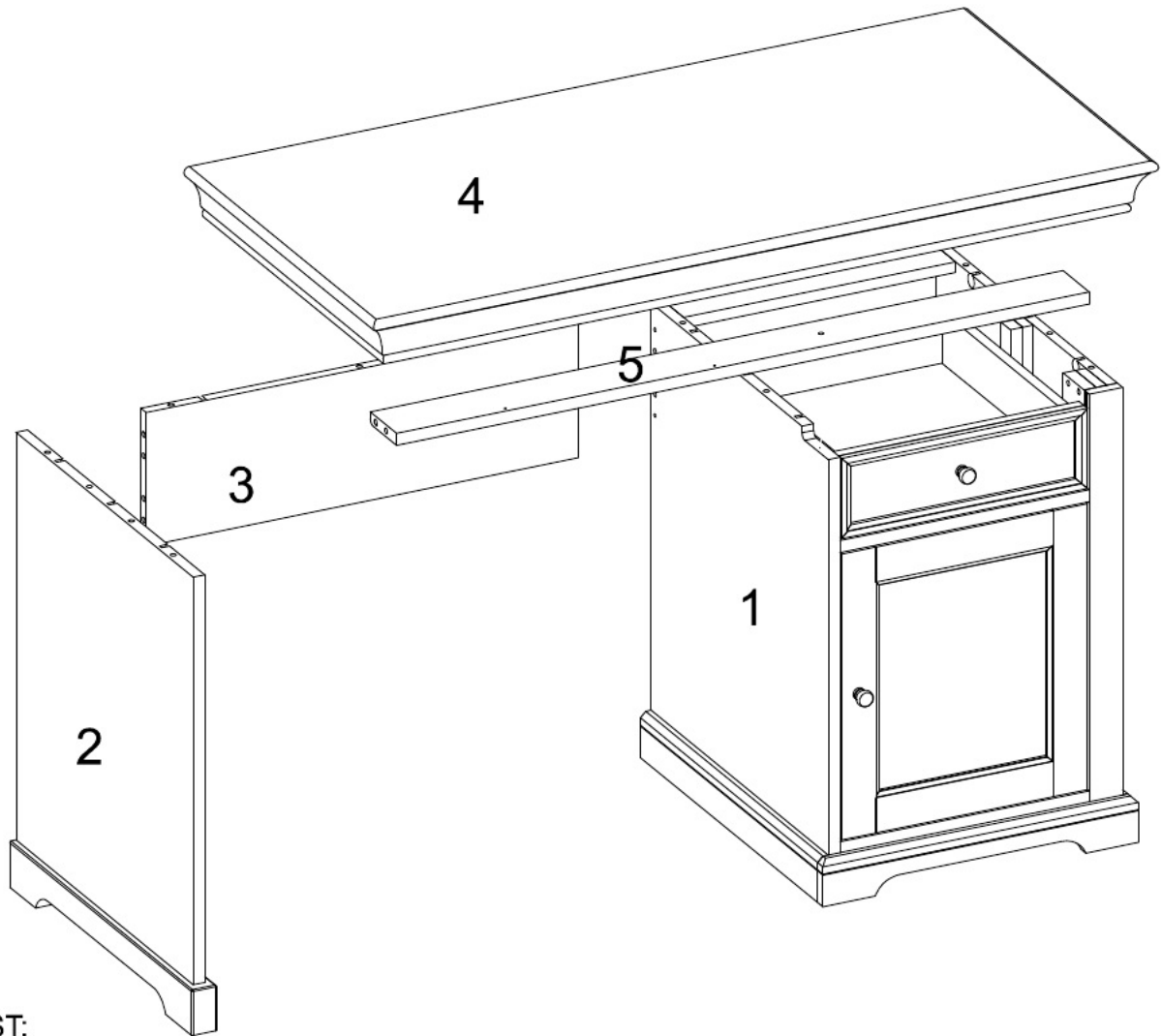


Bureau " MARSEILLE "

IMPORTANT: Please read this instruction carefully and keep for future reference.

BEFORE ASSEMBLY

- unpack all the parts and identify them against the fittings and components list,
- do not discard any packing until you have checked that you have all parts as shown bellow,
- you may find the construction of your wardrobe easier if you have the help of another person,

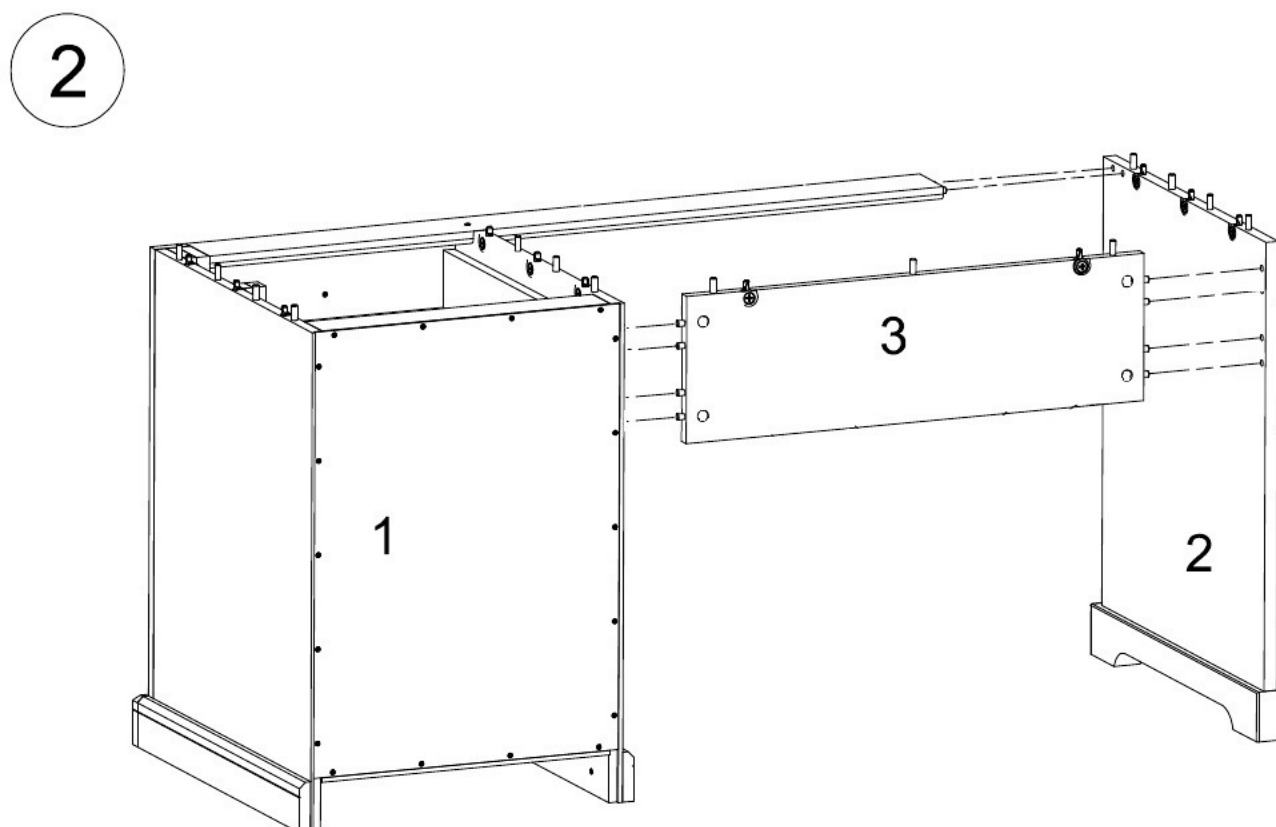
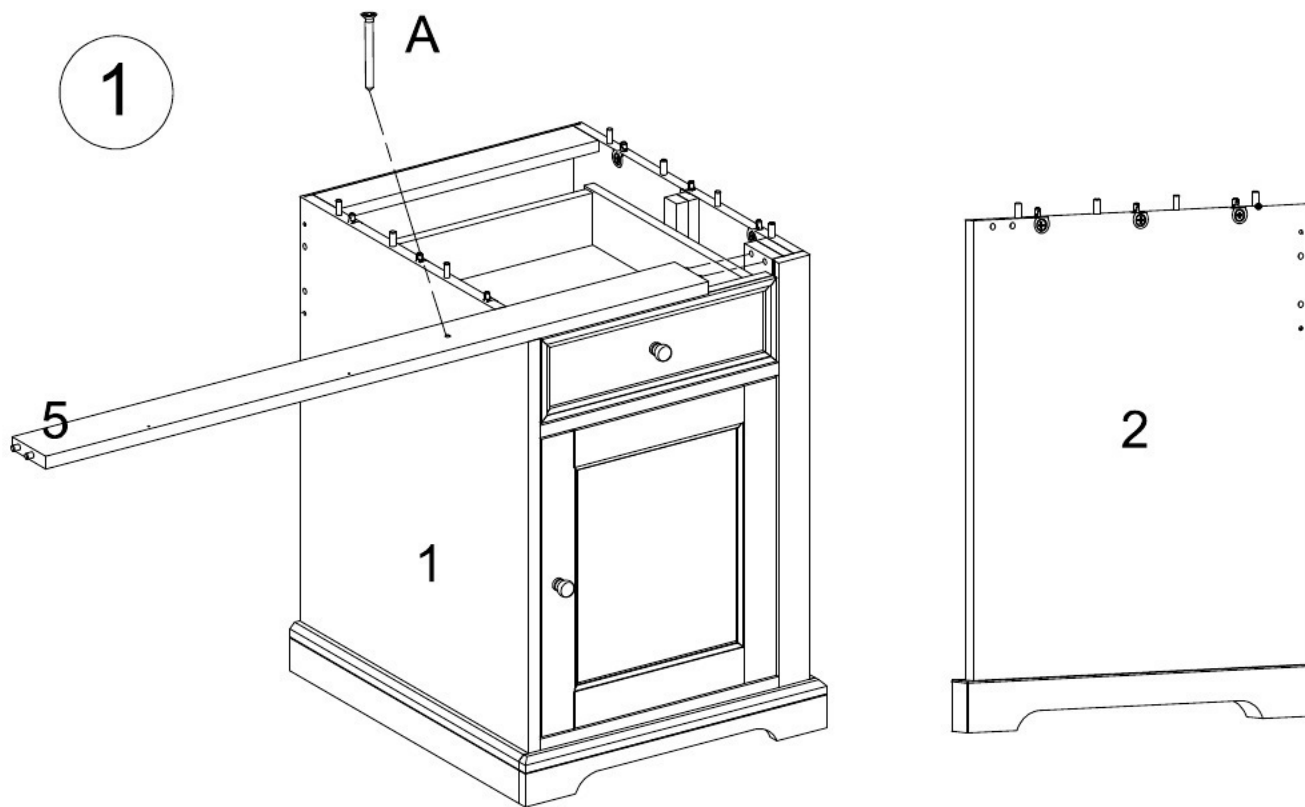


FITTINGS LIST:

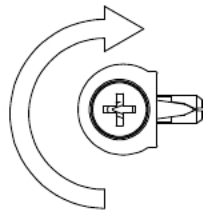
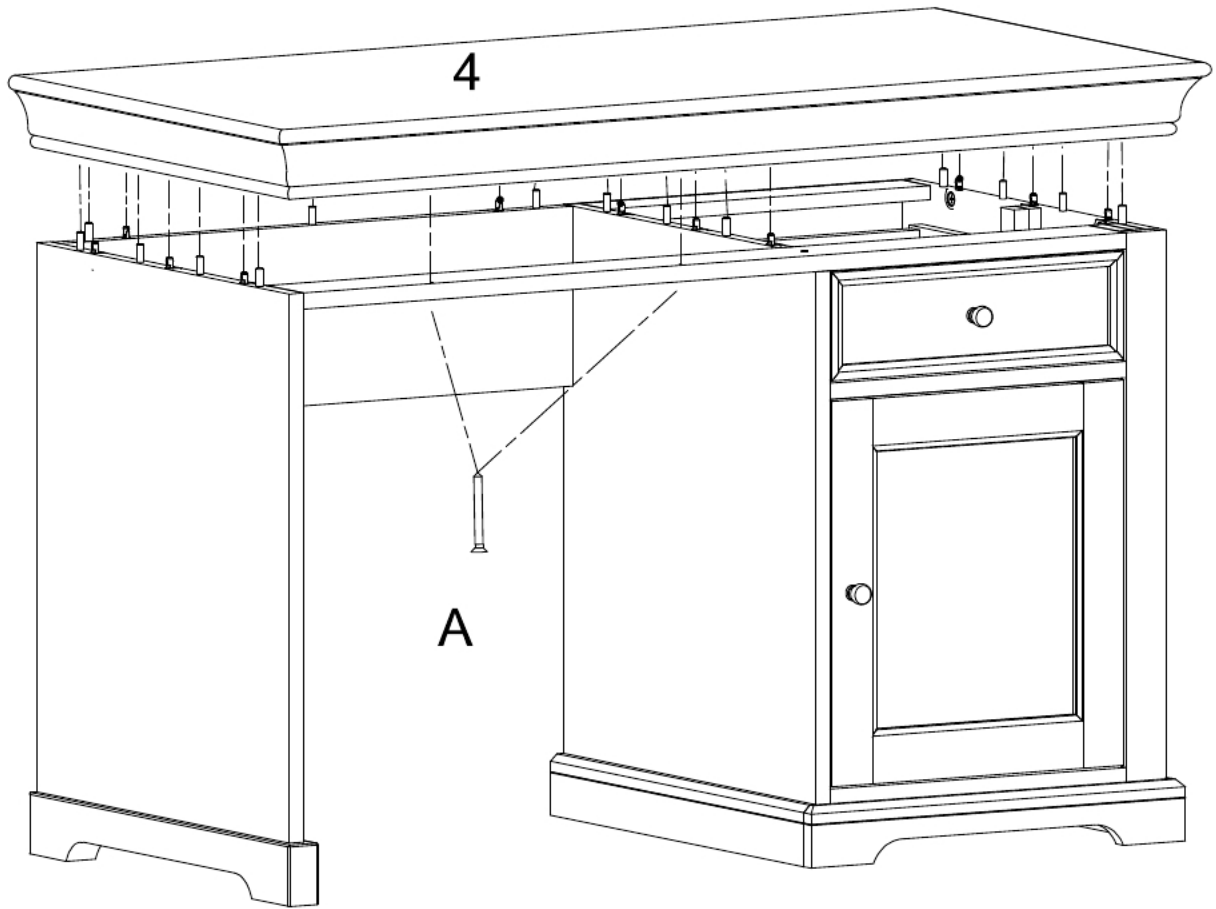
3,5 x 35



A x 3



3



TURN ON 180°