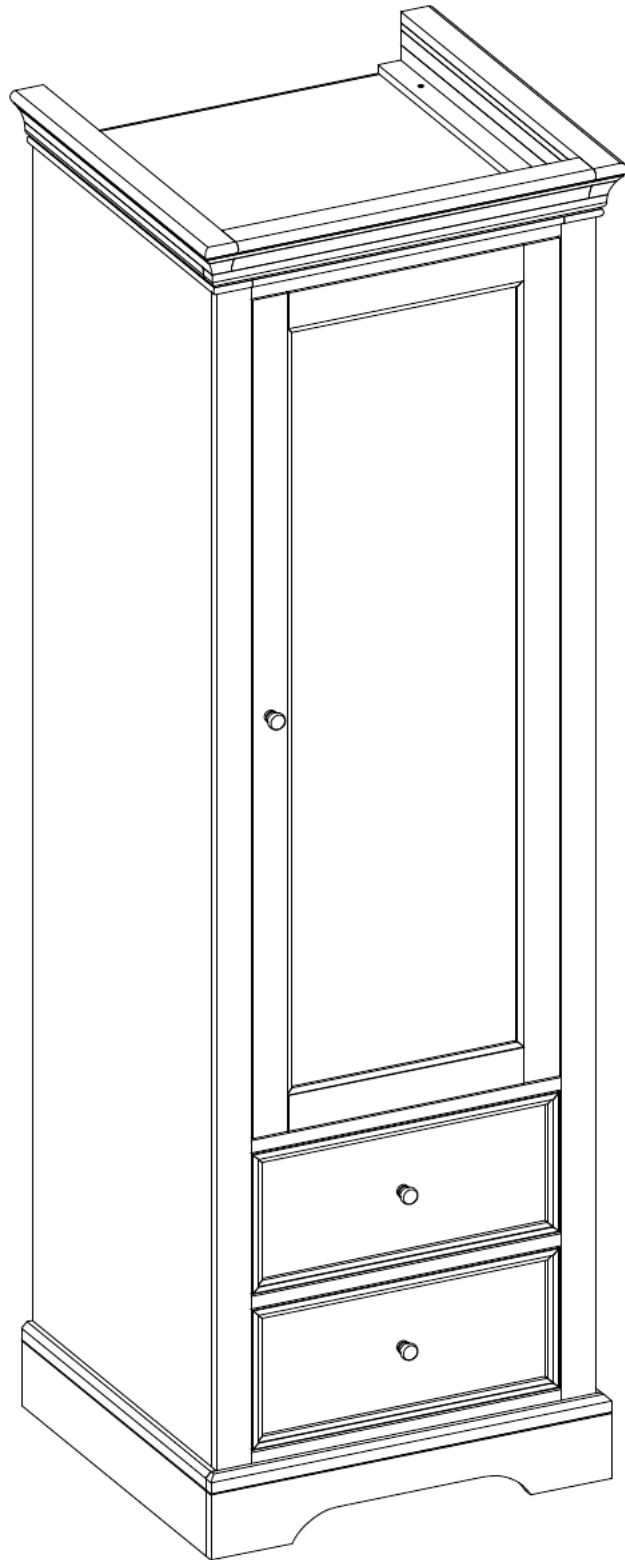


INSTRUCTION

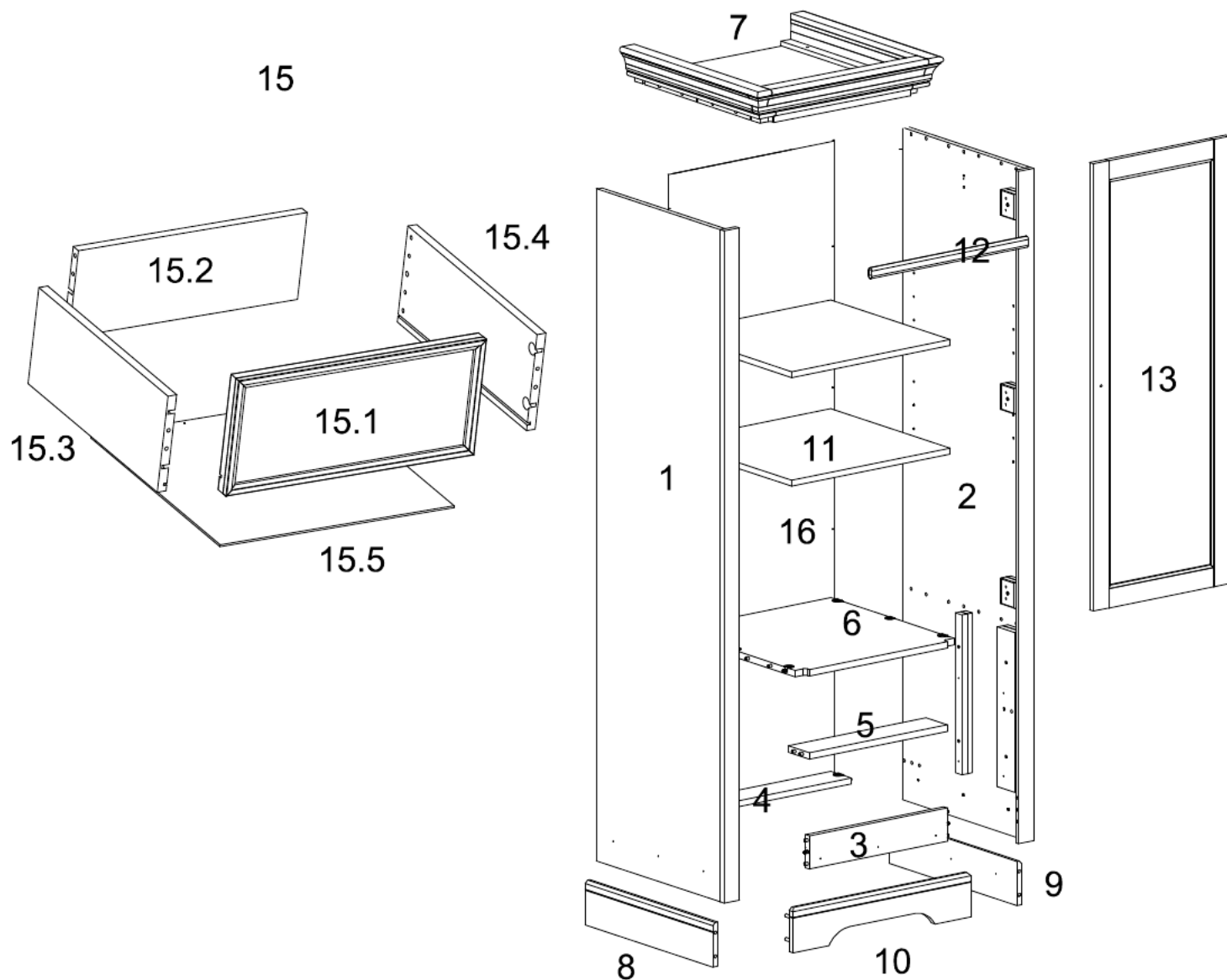









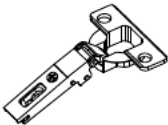

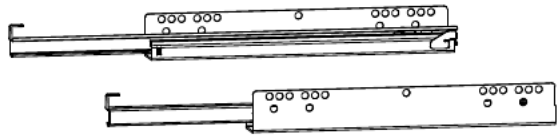

Linnenkast 1D "MARSEILLE"

IMPORTANT: Please read this instruction carefully and keep for future reference.

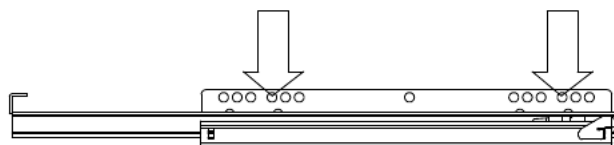
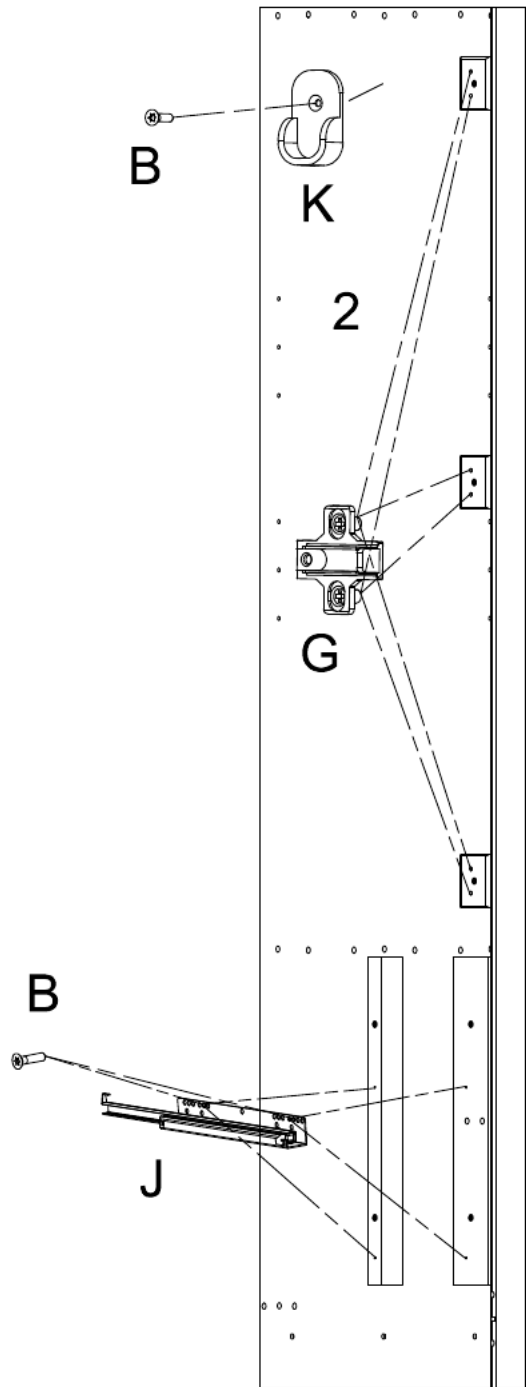
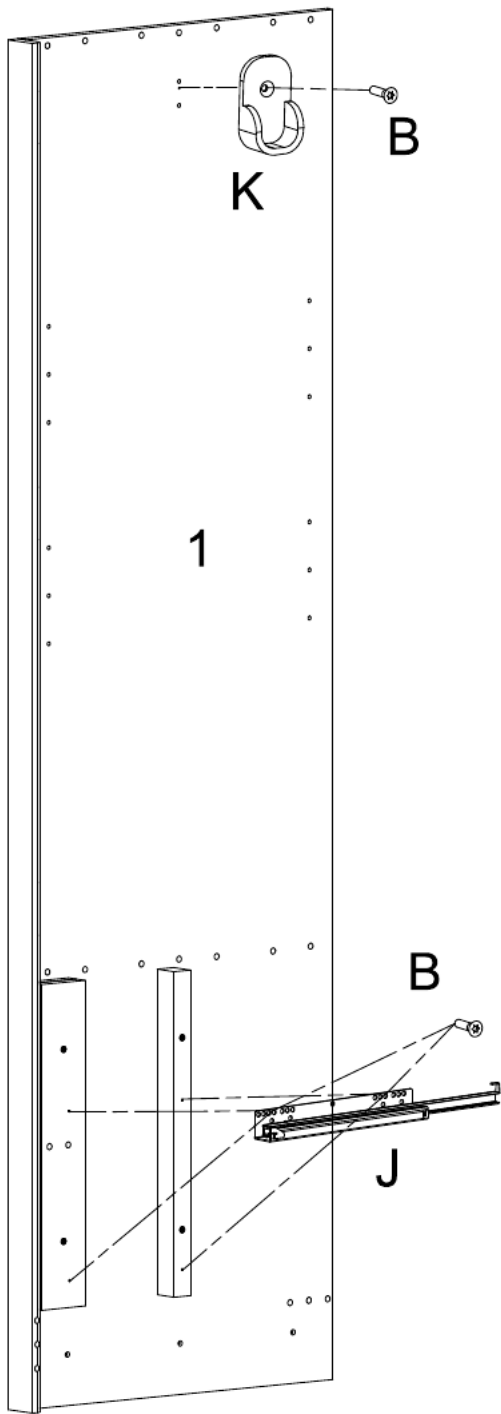
BEFORE ASSEMBLY

- unpack all the parts and identify them against the fittings and components list,
- do not discard any packing until you have checked that you have all parts as shown bellow,
- you may find the construction of your wardrobe easier if you have the help of another person,

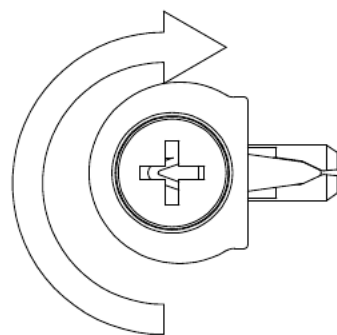
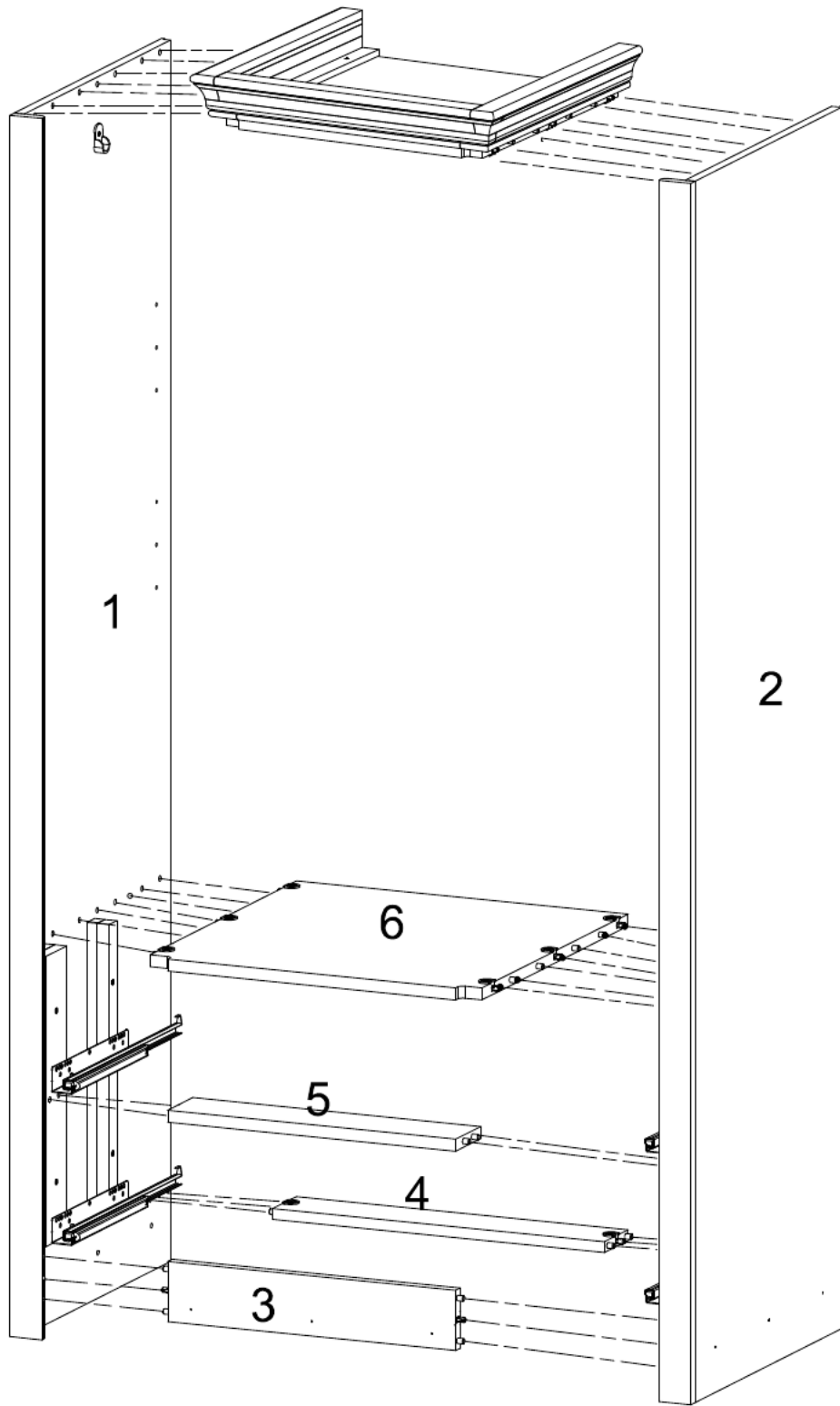


| | | | | | | |
|--|--|---|---|---|---|---|
| <p>3 x 16</p>  <p>A x 4</p> | <p>3,5 x 16</p>  <p>B x 16</p> | <p>3,5 x 25</p>  <p>C x 9</p> | <p>3,5x35</p>  <p>D x 3</p> | <p>3 x 16</p>  <p>E x 34</p> |  <p>F x 8</p> |  <p>G x 3</p> |
|  <p>H x 3</p> |  <p>I x 3</p> |  <p>J x 2</p> | |  <p>K x 2</p> | | |

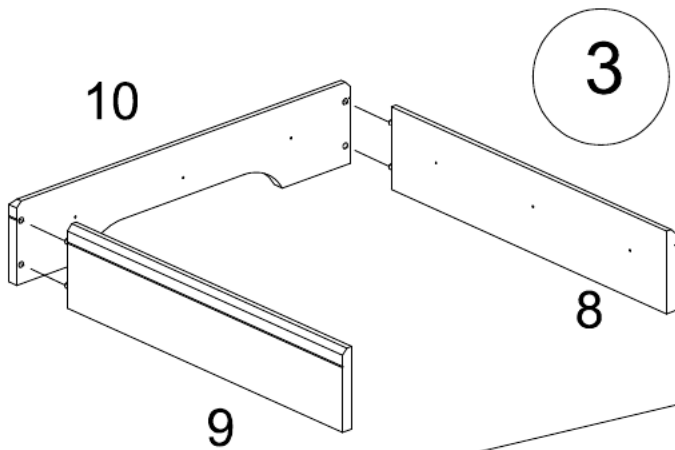
1



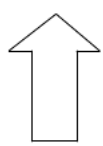
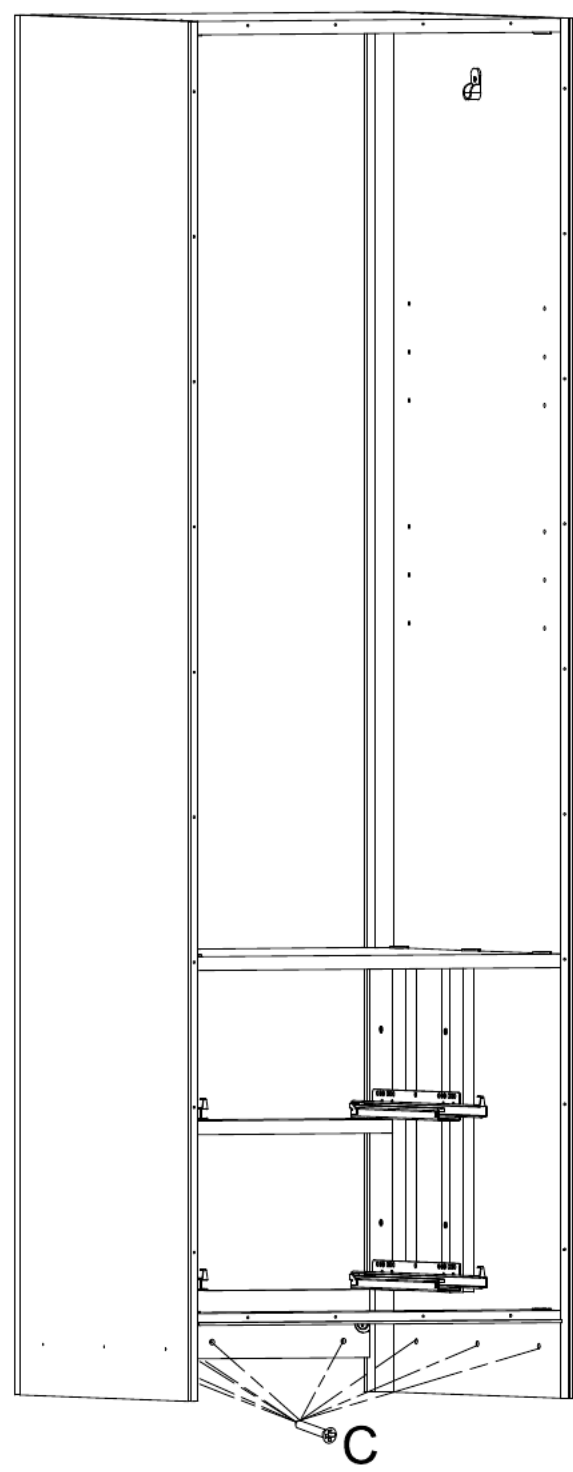
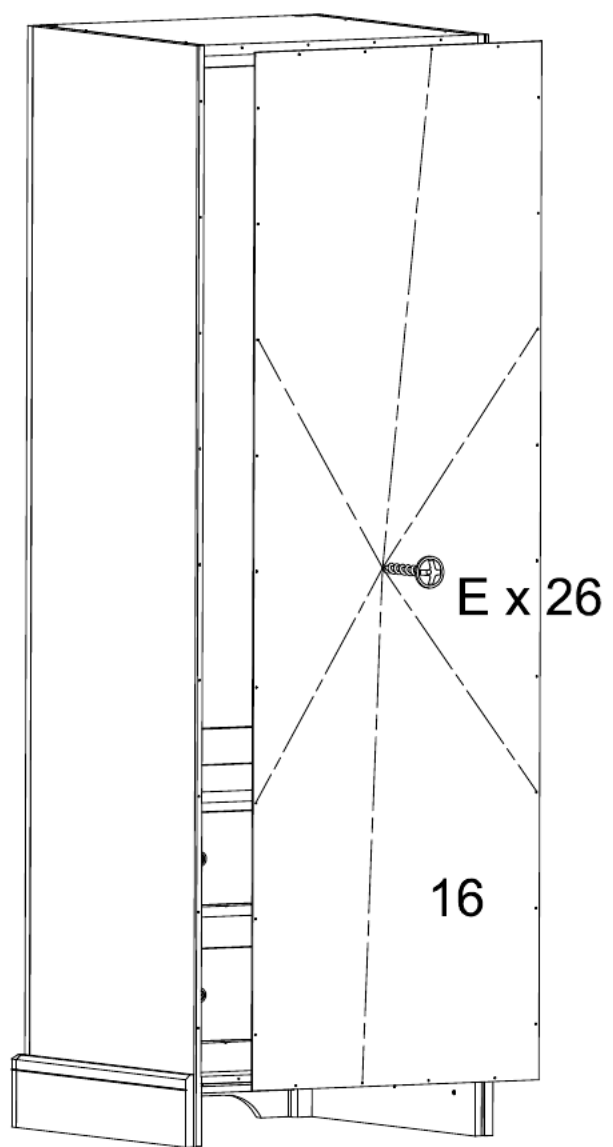
2



TURN
180°



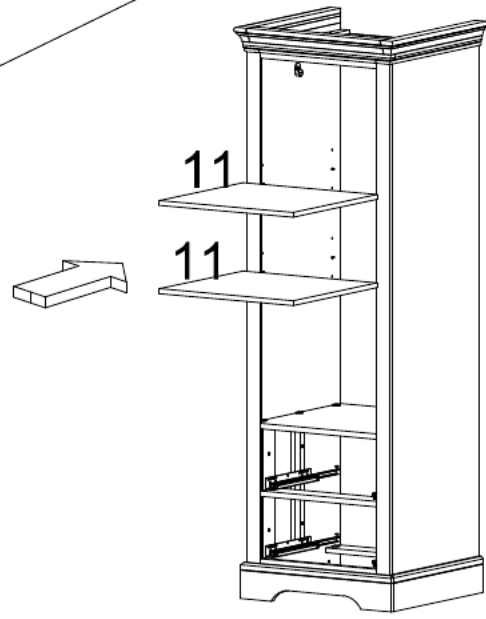
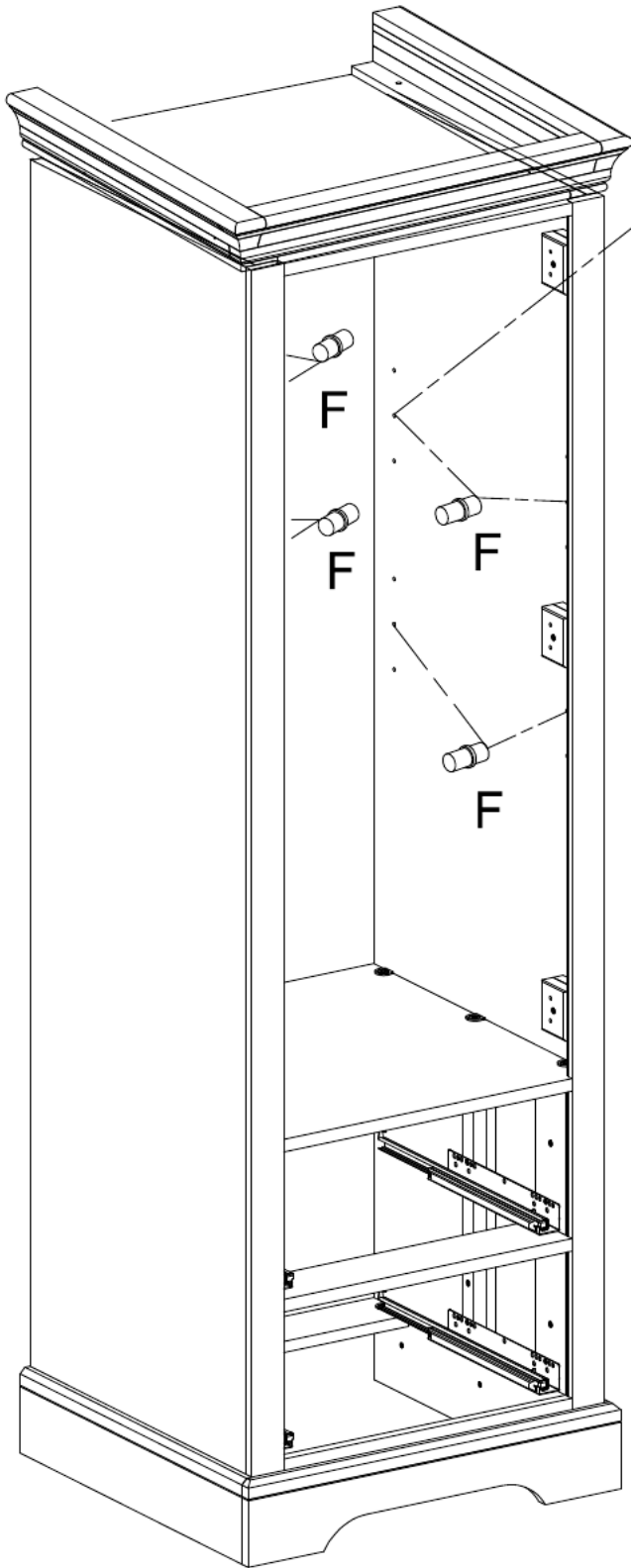
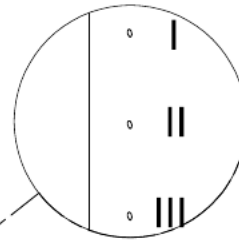
5



4

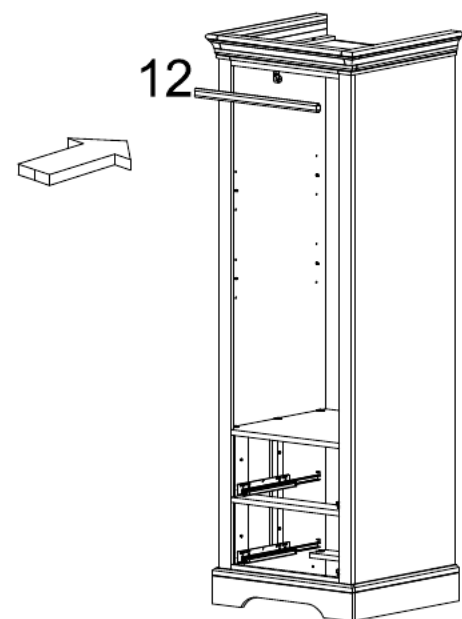
6

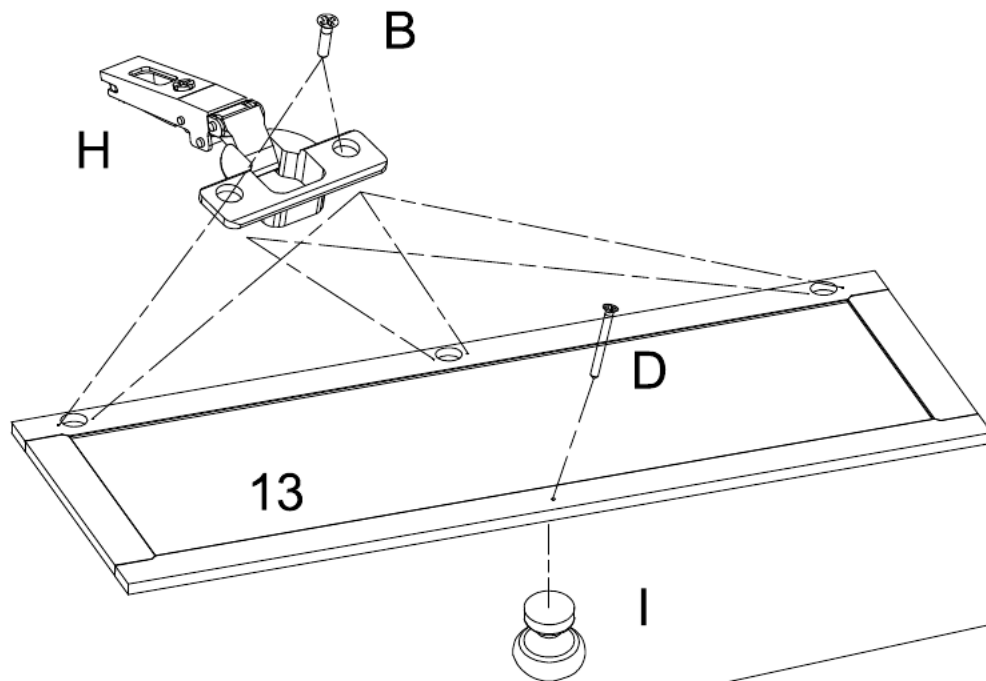
3 LEVELS



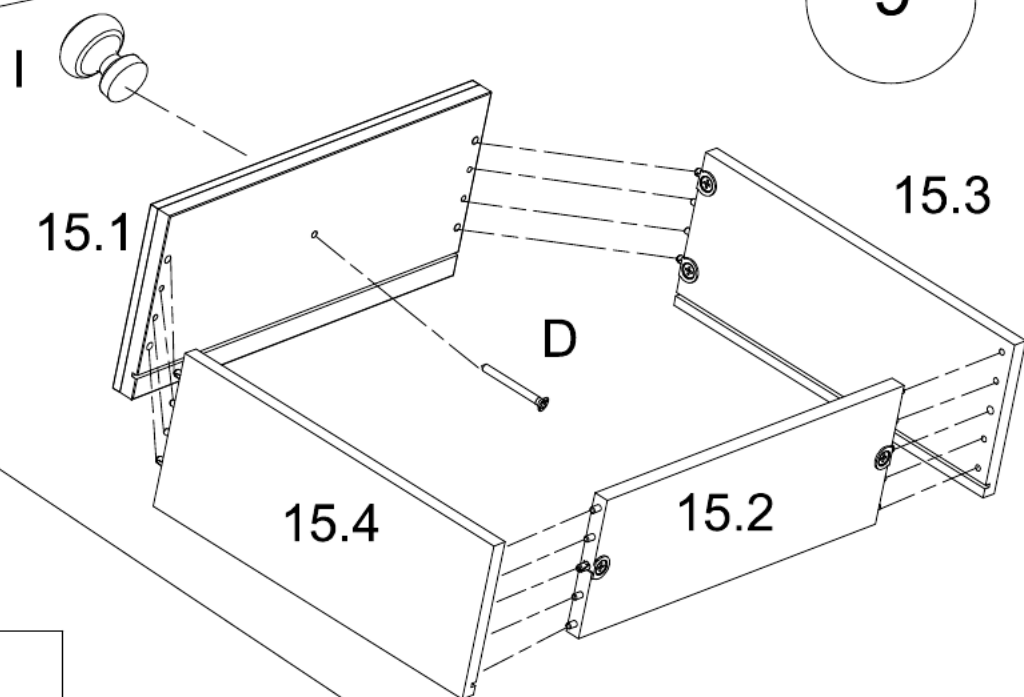
7

OR

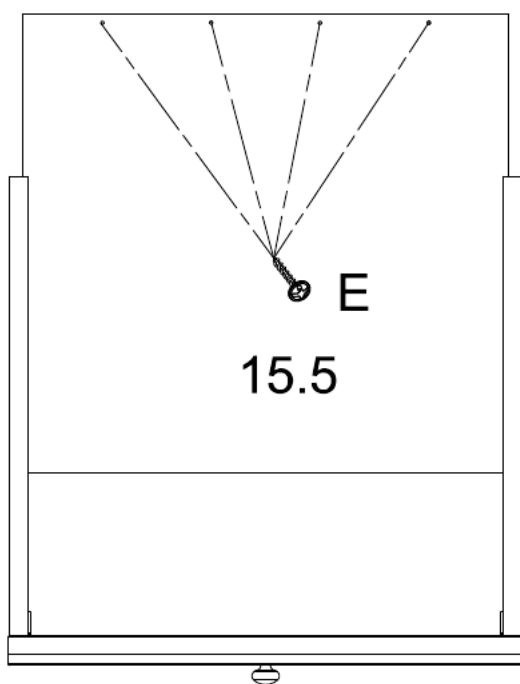
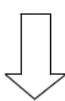




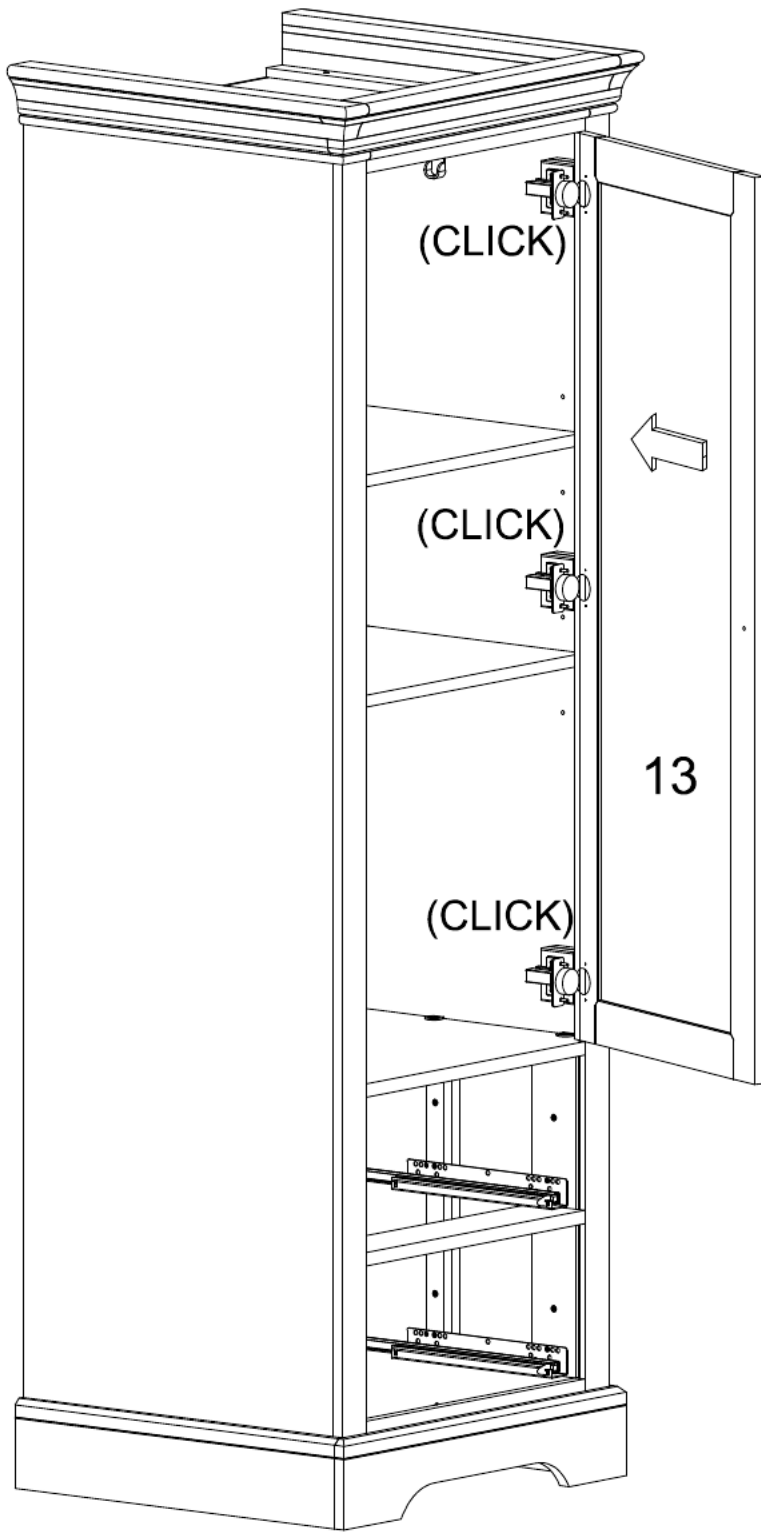
8



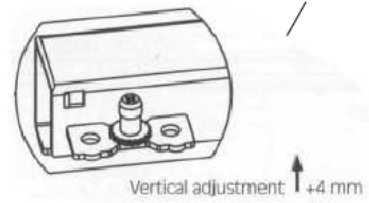
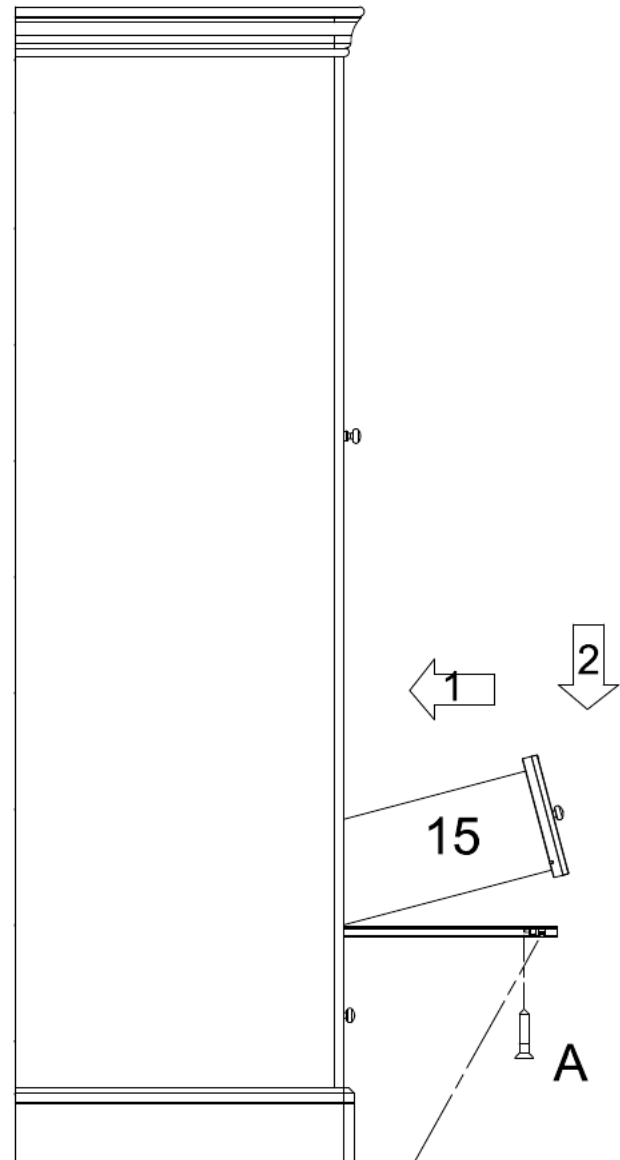
9



10



11



12